

K3 Rotary Draw Latch

Small size

Features

- Adjustable grip

Material

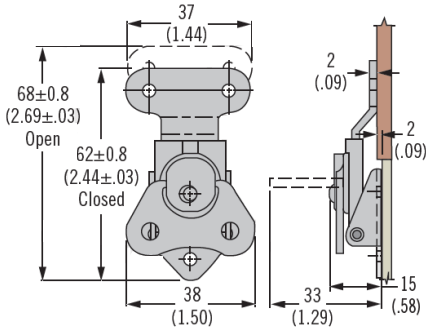
- Stainless steel or steel, zinc plated

Notes

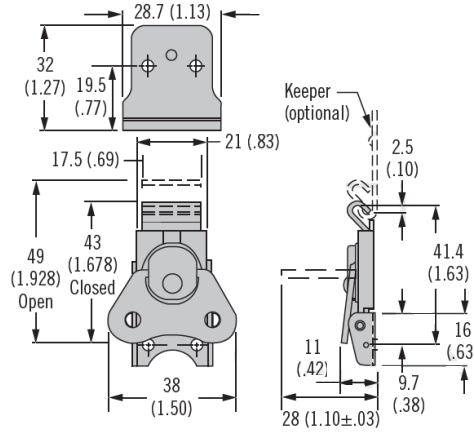
- Hinge lock style has an integrally attached keeper
- Install assembly with $\varnothing 3$ rivets or M3 screws (not supplied)



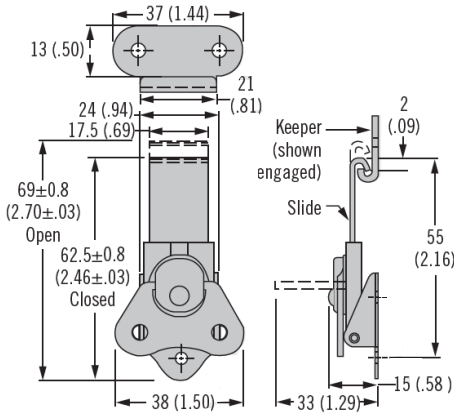
Hinge Lock



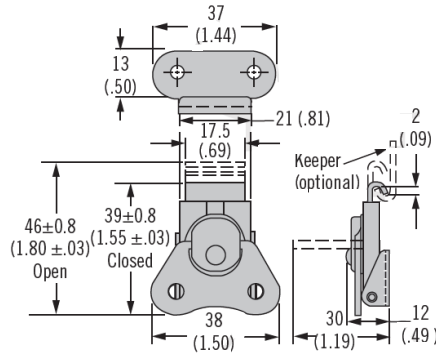
Low Profile



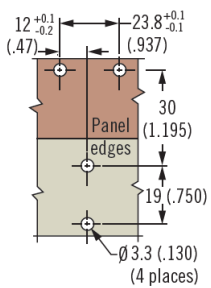
Long Slide



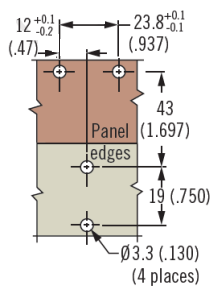
Short Anchor Plate



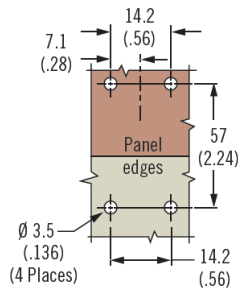
Hinge Lock



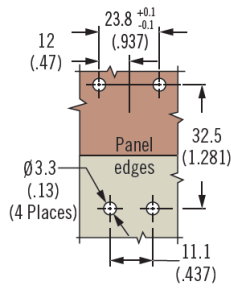
Long Slide



Low Profile



Short Base



Material	Latch Part Number				Keeper Part Number	
	Hinge Lock	Long Slide	Low Profile	Short Base	Keeper	Low Profile Keeper
Steel	K3-1746-07	K3-2347-07	K3-2694-07	K3-1660-07	K3-0334-07	K3-2696-07
Stainless Steel	~	K3-2347-52	~	K3-1660-52	K3-0334-52	~

K3 Rotary Draw Latch

Small size

Features

- Lift and turn operation
- Consistent pull-up

Material

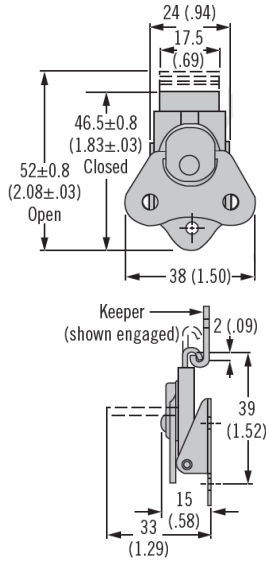
- Stainless steel or steel, zinc plated

Notes

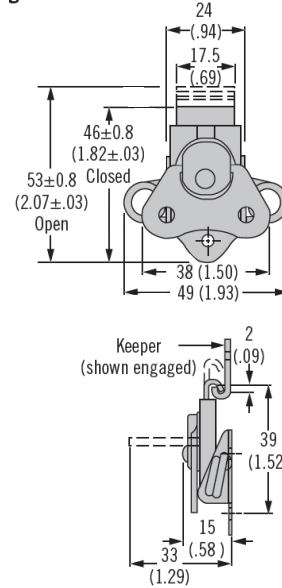
- Spring loaded: Ideal for applications where shock and vibration occur. Compensates up to 4 for mounting hole irregularities, panel variations and gasket set
- Install assembly with Ø3 rivets or M3 screws (not supplied)



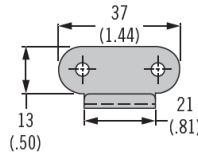
Riveted



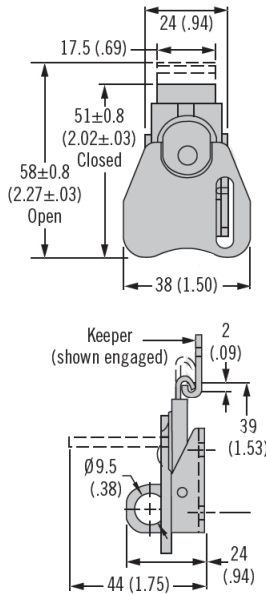
Spring Loaded



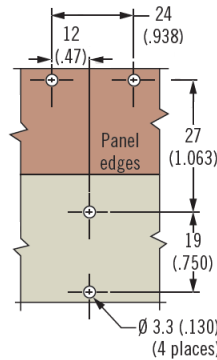
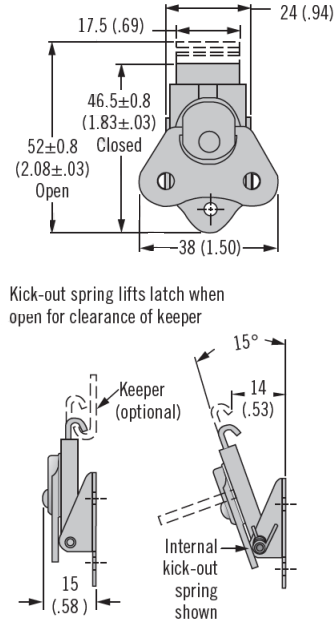
Keeper



Padlockable



Kick-Out Spring



Material	Part Number				
	Riveted	Spring Loaded	Padlockable	Kick-Out Spring	Keeper
Steel	K3-1625-07	K3-1735-07	K3-2403-07	K3-1887-07	K3-0334-07
Stainless Steel	K3-1625-52	K3-1735-52	K3-2403-52	K3-1887-52	K3-0334-52